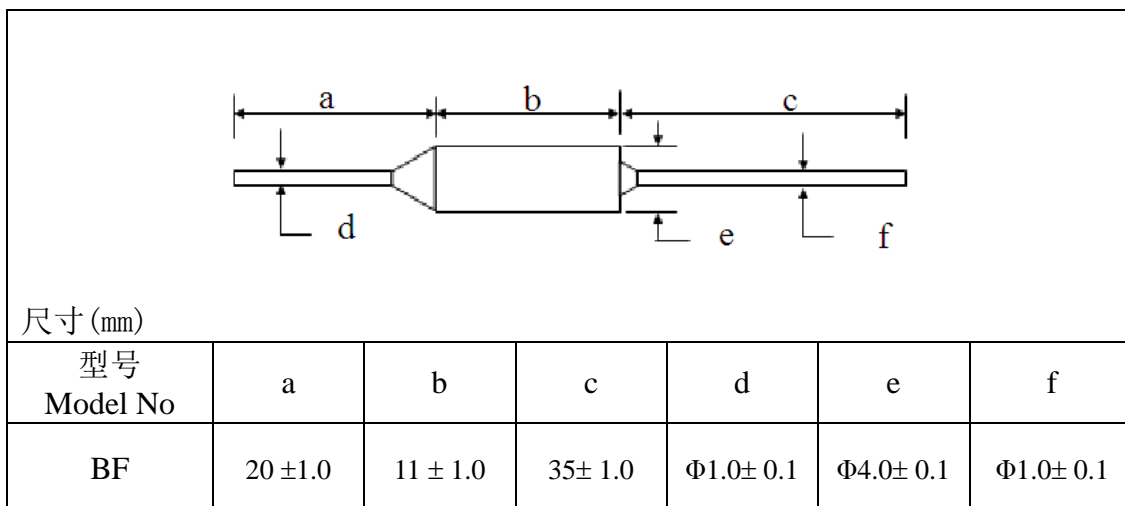


## 1. 产品介绍(Product introduction)

AUPO 温度保险丝是一种不可复位型热敏保护器件，用于家用电器及工业设备的过热保护，当周围温度升高到某不正常温度时，温度保险丝感受外界温度状态，将电路切断。它的全密封结构确保其熔断系统稳定可靠，不受外界潮湿等恶劣环境影响。它的主要特点是：对外界温度感受灵敏；动作温度准确、稳定；体积小，密封式结构；性能可靠，已获多个国际安全标准认证。

The AUPO thermal cutoff is an unresettable thermal protect instrument. It is used in household appliances and industry instrument for thermal protecting. When an ambient temperature of the thermal cutoff rises to an abnormal temperature, the thermal cutoffs tastes the ambient temperature and open the circuit. Its all-sealed structure insures the stability and reliability, and it is not influenced by ambient humidity and so on. Its main features are: extremely sensitive to ambient temperature; precise and stable functioning temperature; compact, epoxy-sealed structure; reliable, approved by various international safety standards.

## 2. 外观和外形尺寸(The appearance and dimension)



### 3. 型号及主要技术参数 (Model and main technical parameters)

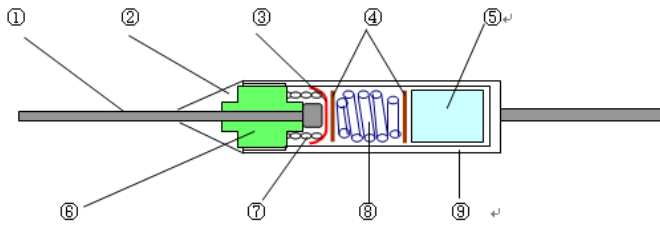
型号 Model No		额定动作温度 Tf(°C)	保持温度 Th(°C)		极限温度 Tm(°C)		额定电流 Ir(A)	额定电压 Ur(Vac)
			UL	VDE	UL	VDE		
BF	BF73	73	45	45	150	150	10	250
	BF77	77	51	51	150	150		
	BF84	84	58	58	150	150		
	BF94	94	66	66	150	150		
	BF99	99	71	71	150	150		
	BF104	104	79	79	150	150		
	BF113	113	84	84	150	150		
	BF117	117	92	92	160	160		
	BF121	121	94	94	160	160		
	BF133	133	104	104	160	160		
	BF142	142	114	114	160	160		
	BF157	157	127	127	172	172		
	BF172	172	144	144	189	189		
	BF184	184	159	159	210	210		
	BF192	192	170	164	250	300		
	BF216	216	191	189	380	380		
BF229	229	200	190	380	250			
BF240	240	200	190	300	380			

#### 4. 实测动作温度、耐压、绝缘电阻、扭转

(Fusing-off temperature、Withstand voltage、Insulation resistance、Twist)

型号 Model No	额定动作温度 Tf (°C)	实测动作温度 Fusing-off temperature (°C)	耐压 Withstand voltage (V)	绝缘电阻 Insulation resistance (MΩ, DC 500V)	扭转 Twist (次)
BF	BF73	73	500	>0.2	1
	BF77	77			
	BF84	84			
	BF94	94			
	BF99	99			
	BF104	104			
	BF113	113			
	BF117	117			
	BF121	121			
	BF133	133			
	BF142	142			
	BF157	157			
	BF172	172			
	BF184	184			
	BF192	192			
	BF216	216			
BF229	229				
BF240	240				

## 5. 产品结构说明 (Structural instruction )



- 1) 引线 (Lead wire)
- 2) 封口树脂(Epoxy)
- 3) 星状簧片(Star contact)
- 4) 圆片 (Discs)
- 5) 感温体(Thermal pellet)
- 6) 陶瓷绝缘子(Thermal pellet)
- 7) 弹簧 A (Ceramic bushing)
- 8) 弹簧 B(Spring B)
- 9) 金属外壳 (Metal case)

## 6. 参数说明(Parameter specifies)

<p>额定动作温度 <b>Rated functioning temperature</b> (<math>T_f</math>)</p>	<p>温度保险丝按安全标准规定方法测试，改变其导电状态的温度。按基于 IEC60691 的安规标准规定，温度保险丝必须在上述温度+0/-10℃范围内动作。简称 <math>T_f</math>。</p> <p>According to the safety standard temperature fuse, to change its method to measure the temperature of the conductive state. Press IEC60691 safety standards based on the above, temperature fuse must temperature + 0 / - 10 °C scope action . Abbreviation for <math>T_f</math>.</p>
<p>实际动作温度 <b>Fusing-off temperature</b></p>	<p>温度保险丝在硅油池内以每分钟 0.5 - 1.0℃速率升温，检测电流小于 10mA 条件下所测得的熔断温度。它是温度保险丝的实际动作温度。</p> <p>In the pool of silicone oil temperature fuse per minute 0.5 ~ 1.0 °C temperature, detection rate of 10mA current conditions are less than temperature measurement of fusing. It is the actual action temperature fuse.</p>
<p>保持温度 <b>Holding temperature</b> (<math>T_h</math>)</p>	<p>温度保险丝在通过额定电流时，能保持 168 小时而不会改变其导电状态的最高温度. 用 <math>T_h</math> 表示。</p> <p>Temperature fuse in through the rated current, can maintain 168 hours without changing its conductive state's highest temperature. Abbreviation for <math>T_h</math>.</p>
<p>极限温度 <b>Maximum temperature limit</b> (<math>T_m</math>)</p>	<p>温度保险丝能承受 10 分钟而不会发生重新接通现象的最高温度。简称为 <math>T_m</math>。</p> <p>Temperature fuse can withstand 10 minutes and won't happen to connect the highest temperature phenomenon. Abbreviation for <math>T_m</math>.</p>
<p>额定电流 <b>Rated current</b> (<math>I_r</math>)</p>	<p>温度保险丝所能承载的最大电流。</p> <p>Temperature fuse can carry the maximum current</p>
<p>额定电压 <b>Rated voltage</b> (<math>U_r</math>)</p>	<p>温度保险丝最高工作电压。</p> <p>Temperature fuse highest working voltage.</p>

## 7. 安全认证编号 (Safety certification number)

型 号 Model No		UL/CUL	VDE	CCC	PSE	KTL
BF	BF73	E140847	40005418	2003010205052188	JET0749-32001-1007	SU05017-11001
	BF77					
	BF84				JET0749-32001-1008	
	BF94					
	BF99					
	BF104				JET0749-32001-1009	SU05017-11002
	BF113					
	BF117					
	BF121				JET0749-32001-1010	SU05017-11003
	BF133					
	BF142				JET0749-32001-1011	
	BF157					
	BF172				JET0749-32001-1012	SU05017-11004
	BF184				JET0749-32001-1013	
	BF192					
	BF216				JET0749-32001-1014	SU05017-11005
BF229	JET0749-32001-1015					
BF240						

## 8. 环保 (Environmental)

(1) 符合 RoHS 环保指令.

Comply with the RoHS environmental directives.

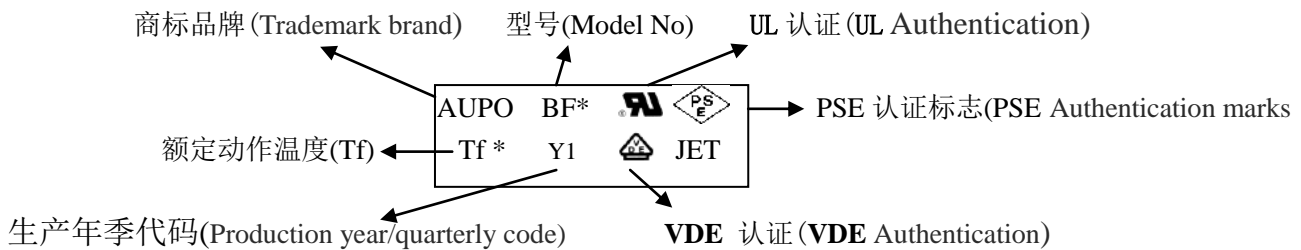
(2) 符合 SONY SS-00259.

Comply with SONY SS - 00259.

(3) 符合 REACH 法规中 SVHC (高关注物质) 物质含量的要求.

Comply with the REACH regulation SVHC (high attention substance) material content requirements.

## 9. 印刷标志 (Printing marks)



注: (Note)

年的代表方式 Years of representative way	Y、Z、C、D、E..... (除 A、B、P、S、T 外, 按照英文字母顺排) In addition to A, B, P, S, T outside, according to the English letters along the line
	11、12、13、14、15..... (按照 D 等于 1 的等差数列排序顺排) According to the D equals 1 contiguous Numbers along the sorting row
季度的代表方式 Quarterly representative ways	1、2、3、4 代表一年的四季 (represents a year of four seasons )

如: “Y”、“Z” 代表 11 年、12 年。“Y1”、“Y2” 代表 11 年第一、第二季度;  
For example: “Y”、“Z” Representative for 11、12 years.

“Y1”、“Y2” Representative 11 years first and second quarter ;

## 10. 包装 (packaging)

每 100 只产品为一个小包装单位, 每 10 小包产品为一个大包装单位。

A small package includes 100Pcs. A big package includes 10 small packages. One big package contains 1000pcs of thermal cutoffs (10×100pcs)

## 11. 备注说明 (note)

设计应用或安装温度保险丝之前请阅读我司产品目录上的《温度保险丝安装使用注意事项》  
Please study the <Thermal cutoff application instruction> on our products catalog before designing or installing AUPO Thermal cutoffs.